

SPRING LOADED FOLDING BRACKET



GTS-300

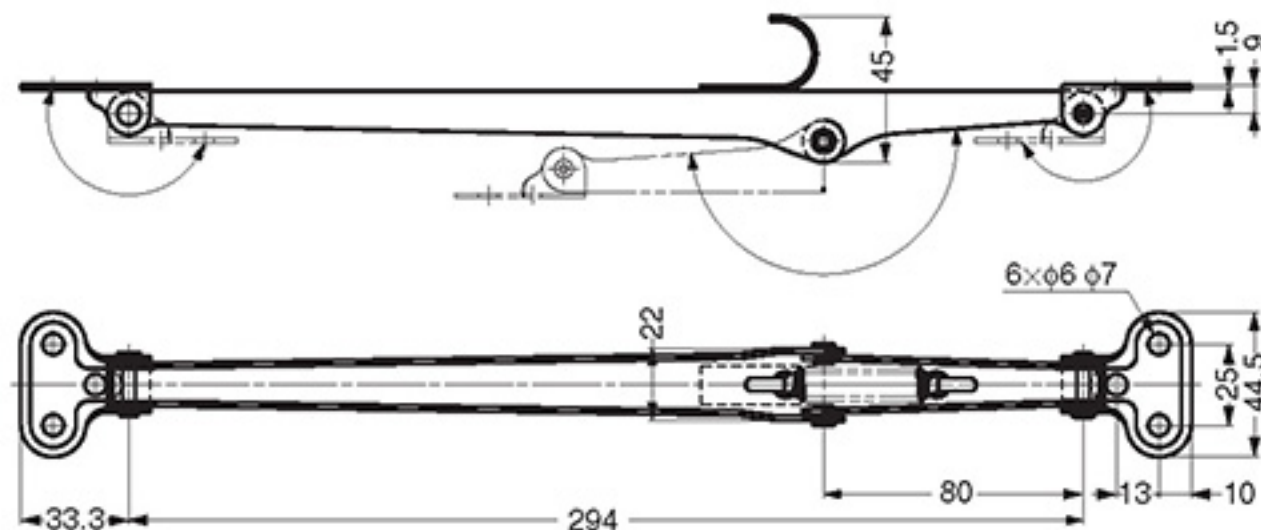
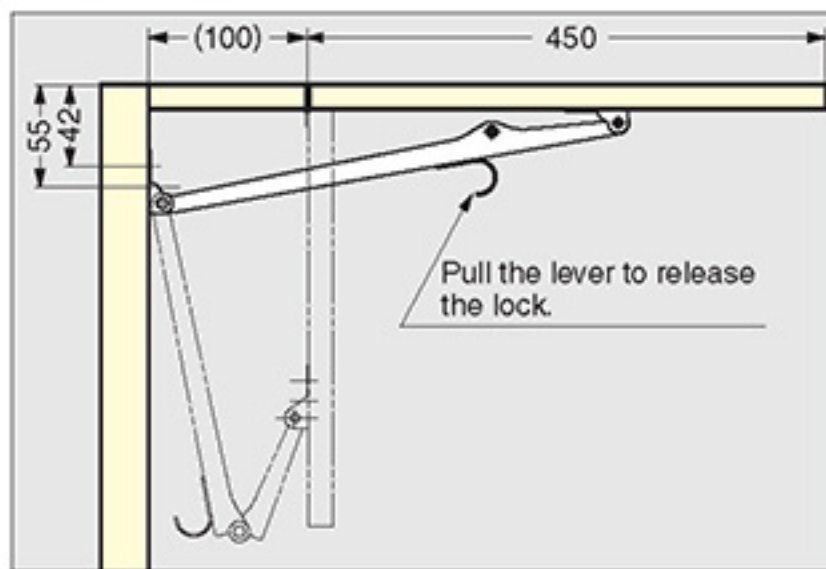


Features

- Spring loaded for lift assist.
- Pull the lever to fold down.

Remarks

- Shelf board depth : Max. 450 mm.
- Horizontal use only.



Item Code	Item Name	Material	Finish	Load Capacity	Load Capacity	Recommended Depth	Recommended Width	Weight	Box	Carton				
120-109-116	GTS-300	Stainless Steel (SUS304)	Mirror	29.4 N/pc	3 kgf/pc	58.8 N/2 pcs	6 kgf/2 pcs	Max. 450/pc	Max. 450/2 pcs	Max. 300/pc	Max. 600/2 pcs	190 g	12 pcs	96 pcs